



More Precision

wireSENSOR // Draw-wire displacement sensors

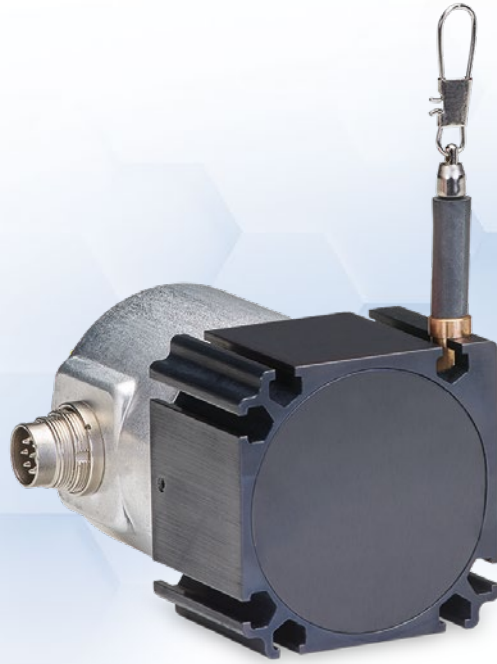


Industrial draw-wire sensors wireSENSOR P60 analog

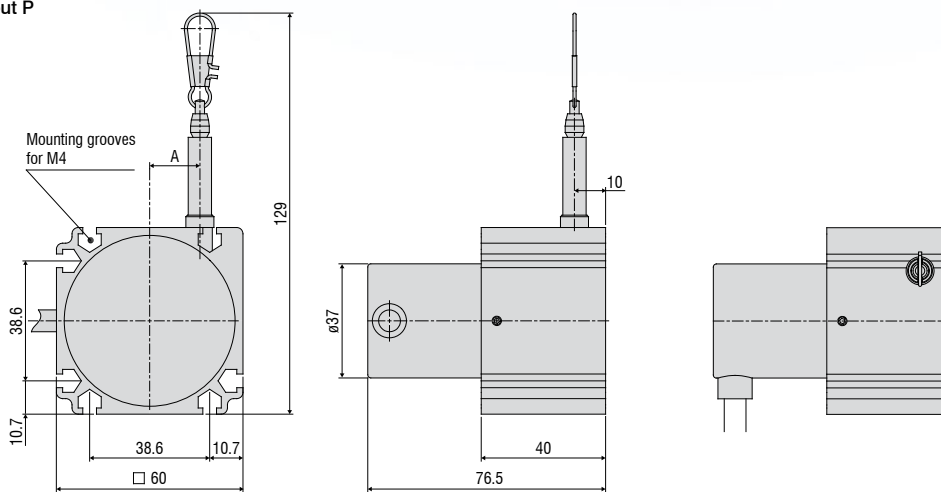
Robust aluminum profile housing

Customer-specific designs

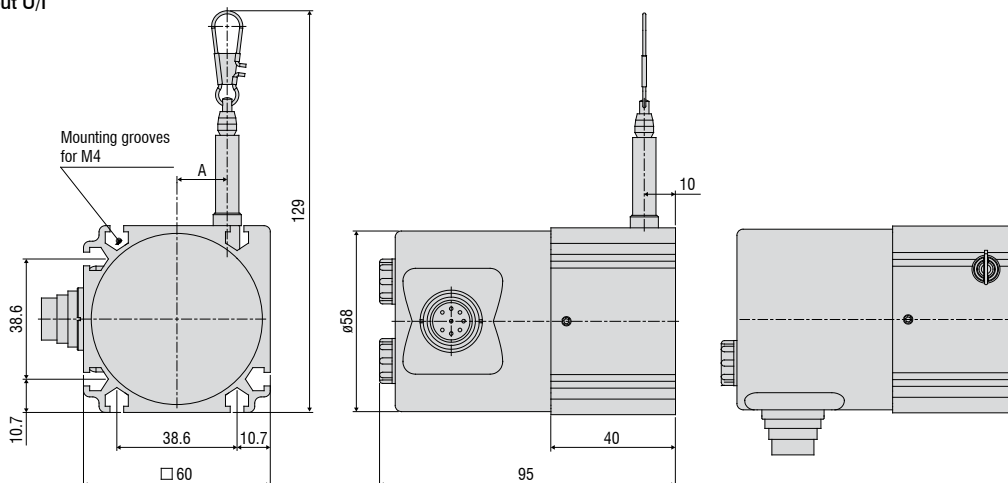
Potentiometer, current or voltage output



Output P



Output U/I



Measuring range (mm)	A (mm)
100 / 300 / 500 / 1000	approx. 16.15
150 / 750 / 1500	approx. 24.2

All dimensions in mm, not to scale

Model	WDS-100-P60	WDS-150-P60	WDS-300-P60	WDS-500-P60	WDS-750-P60	WDS-1000-P60	WDS-1500-P60	
Measuring range	100 mm	150 mm	300 mm	500 mm	750 mm	1000 mm	1500 mm	
Analog output ¹⁾	Potentiometer, current, voltage							
Resolution	towards infinity							
Linearity	Hybrid potentiometer P10 $\leq \pm 0.1\%$ FSO	-	-	-	$\leq \pm 0.5$ mm	$\leq \pm 0.75$ mm	$\leq \pm 1$ mm	$\leq \pm 1.5$ mm
	Hybrid potentiometer P25 $\leq \pm 0.25\%$ FSO	-	-	$\leq \pm 0.75$ mm	-	-	-	-
	Conductive plastic/wire potentiometer P25 $\leq \pm 0.5\%$ FSO	$\leq \pm 0.5$ mm	$\leq \pm 0.75$ mm	-	-	-	-	-
Sensor element	Conductive plastic/wire potentiometer		Hybrid potentiometer					
Wire extension force (max.)	approx. 7.5 N	approx. 5.5 N	approx. 7.5 N	approx. 7.5 N	approx. 5.5 N	approx. 7.5 N	approx. 5.5 N	
Wire retraction force (min.)	approx. 6.5 N	approx. 4.5 N	approx. 6 N	approx. 6 N	approx. 4 N	approx. 5 N	approx. 3.5 N	
Wire acceleration (max.)	approx. 10 ... 15 g (depending on measuring range)							
Material	Housing	Aluminum						
	Measuring wire	Polyamide-coated stainless steel (\varnothing 0.45 mm)						
Wire mounting	Wire clip							
Installation	Mounting grooves on the sensor housing							
Temperature range	Storage	-20 ... +80 °C						
	Operation	-20 ... +80 °C						
Connection	Potentiometer	integrated cable, radial, length 1 m						
	Current, voltage	pluggable cable via 8-pin flange connector (DIN45326), radial						
Shock (DIN EN 60068-2-27)	50 g / 10 ms in 3 axes, 1000 shocks each							
Vibration (DIN EN 60068-2-6)	20 g / 10 ... 2000 Hz in 3 axes, 10 cycles each							
Protection class (DIN EN 60529)	IP65 ²⁾							
Weight	approx. 370 g							

FSO = Full Scale Output

¹⁾ Specifications for analog outputs from page 58 onwards.

²⁾ With plug version only when connected.

Article designation

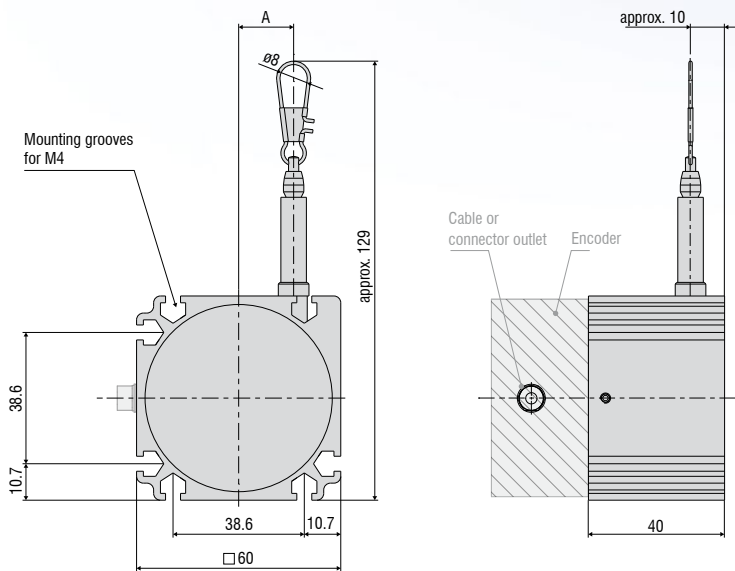
WDS -	100 -	P60 -	CR -	P
				Output type: P: potentiometer (with connection CR) U: voltage (with connection SR) I: current (with connection SR)
				Connection: SR: radial plug CR: integrated cable, radial, 1 m
				P60 series
				Measuring range in mm

Industrial draw-wire sensors wireSENSOR P60 digital

Robust aluminum profile housing

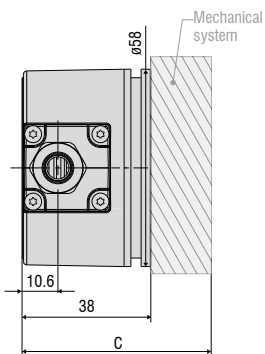
Customer-specific designs

Absolute or incremental encoder

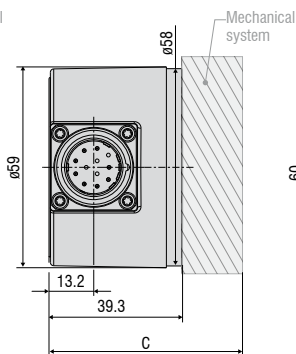


MR (mm)	A (mm)
1000	approx. 16.15
1500	approx. 24.2

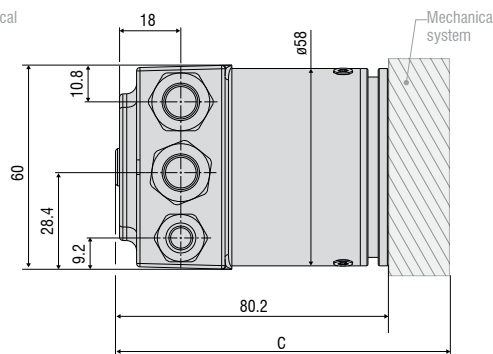
HTL/TTL output



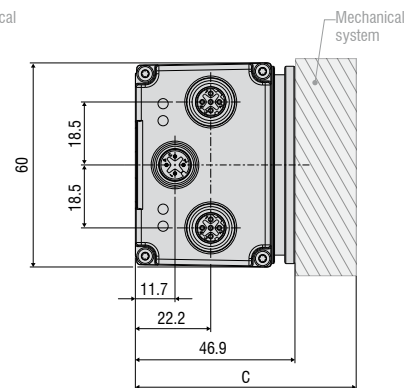
SSI output



Output CO/PB



Output PN/ENIP/CAT



All dimensions in mm, not to scale

Total length mechanics + Encoder (C)				
Output	HTL/TTL	SSI	CO/PB	PN/ENIP/CAT
C (mm)	78	79.3	120.3	86.9

Model		WDS-1000-P60	WDS-1500-P60
Measuring range		1000 mm	1500 mm
Digital interface ¹⁾		PROFINET, Profibus DP, CANopen, EtherNet/IP, EtherCAT	
Digital output ¹⁾		HTL, TTL, SSI	
Resolution	HTL, TTL	0.067 mm (15 pulses/mm)	0.1 mm (10 pulses/mm)
	SSI, PROFINET, Profibus DP, CANopen, EtherNet/IP, EtherCAT	0.012 mm	0.018 mm
Linearity	≤ ±0.02% FSO	≤ ±0.2 mm	≤ ±0.3 mm
Sensor element		Incremental/absolute encoder	
Wire extension force (max.)		approx. 7.5 N	approx. 5.5 N
Wire retraction force (min.)		approx. 5 N	approx. 3.5 N
Wire acceleration (max.)		approx. 10 g	approx. 15 g
Material	Housing	Aluminum	
	Measuring wire	Polyamide-coated stainless steel (ø 0.45 mm)	
Wire mounting		Wire clip	
Installation		Mounting grooves on the sensor housing	
Temperature range	Storage	-20 ... +80 °C	
	Operation	-20 ... +80 °C	
Connection	HTL, TTL	integrated cable, radial, length 1 m	
	SSI	12-pin flange connector, radial	
	PROFINET, Profibus DP, CANopen, EtherNet/IP, EtherCAT	Bus cover	
Shock (DIN EN 60068-2-27)		50 g / 10 ms in 3 axes, 1000 shocks each	
Vibration (DIN EN 60068-2-6)		20 g / 10 ... 2000 Hz in 3 axes, 10 cycles each	
Protection class (DIN EN 60529)		IP65 ²⁾	
Weight		approx. 1 kg	

FSO = Full Scale Output

¹⁾ Specifications for digital outputs from page 59 onwards.

²⁾ With plug version only when connected

Article designation

WDS -	1000 -	P60 -	CR -	TTL
				Output: HTL TTL CO: CANopen PB: Profibus DP SSI: Gray Code PN: PROFINET ENIP: EtherNet/IP CAT: EtherCAT
				Connection: SR (with SSI output): plug, radial CR (with HTL, TTL output): integrated cable, radial, 1 m BH (with CO, PB, PN, ENIP, CAT output): bus cover
				P60 series
				Measuring range in mm

Options

wireSENSOR

Customer-specific modifications for your series application

If the standard models do not meet certain specific requirements, draw-wire sensors from the standard range can be adapted accordingly by Micro-Epsilon. Cost-effective implementation can already be achieved with medium-sized quantities (depending on the type and number of changes).

Measuring wire

- Plastics
- Stainless steel (coated/uncoated)
- Different diameters
- Thicker wire for improved snap protection



Wire attachment

- Wire clip
- Eyelet
- Thread
- Wire extension

Connection/Output signal

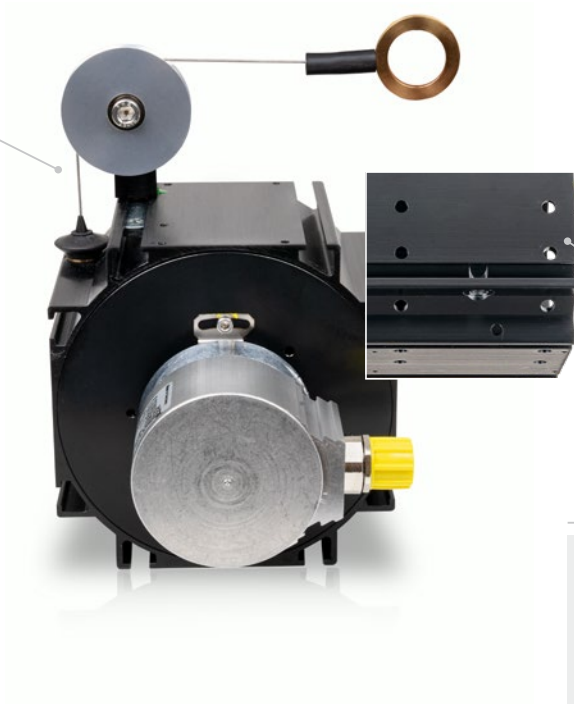
- Different cable lengths
- Different plug variants
- Redundant sensor element
- Adaption of supply voltage
- Inverted signal
- Redundant signal outputs
- Alignment cable/connector outlet





- Sensor mounting**
- Mounting bracket
 - Mounting plate
 - Magnetic holder

- Wire guide**
- Wire wiper
 - Different designs of integrated deflection pulleys
 - Wire outlet socket from ceramics for increased diagonal pull up to 15°



- Housing and environment**
- Wire outlet right (standard) / left
 - Protection class up to IP69K
 - Drainage holes
 - Stainless steel spring
 - Housing material
 - Wire acceleration
 - Snap protection

* Some options cannot be combined with each other;
availability of options on request

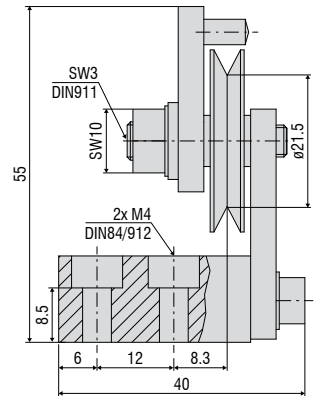
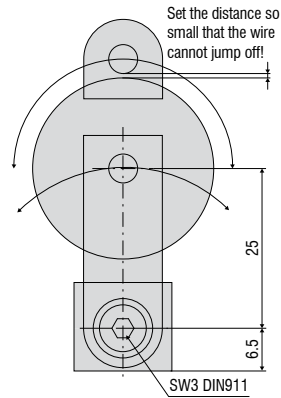
Accessories

wireSENSOR

Wire deflection pulleys for external installation

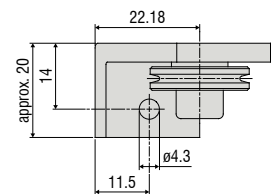
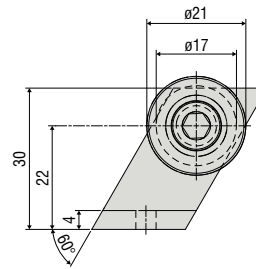
TR1-WDS

Wire deflection pulley, adjustable, for sensors with a wire diameter ≤ 0.45 mm



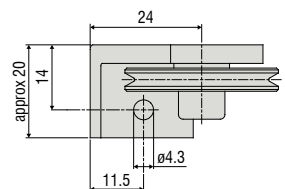
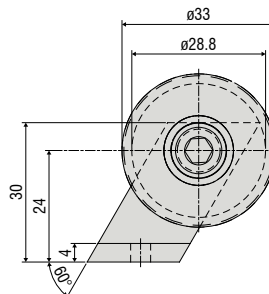
TR3-WDS

Wire deflection pulley, fixed, for sensors with a wire diameter ≤ 0.45 mm



TR4-WDS

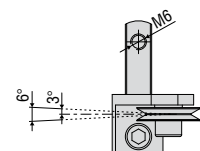
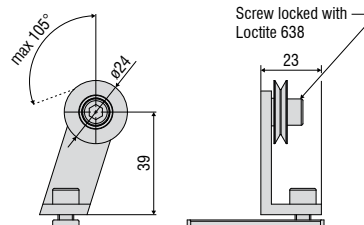
Wire deflection pulley, fixed, for sensors with a wire diameter of 0.8 mm to 1 mm



Wire deflection pulley for direct installation on the sensor housing

TR5-WDS

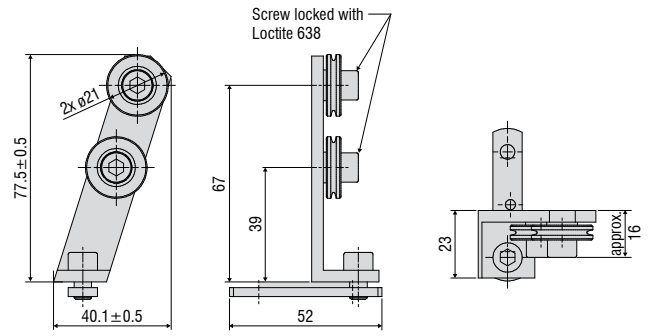
Integrated wire deflection pulley for P115 sensors with a wire diameter of 0.45 mm



All dimensions in mm, not to scale

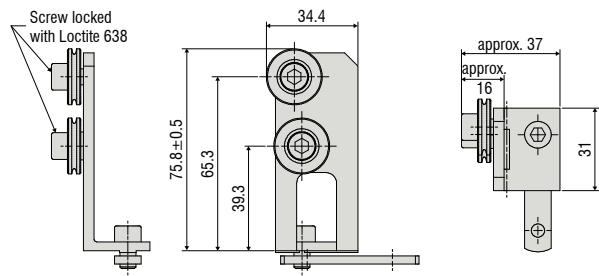
TR5-WDS(03)

Integrated double deflection pulley for P115 sensors with a wire diameter of 0.45 mm



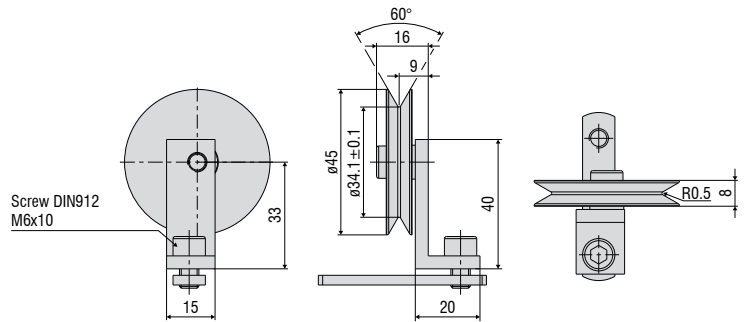
TR5-WDS(04)

Integrated double deflection pulley, 90° angled, for P115 sensors with a wire diameter of 0.45 mm

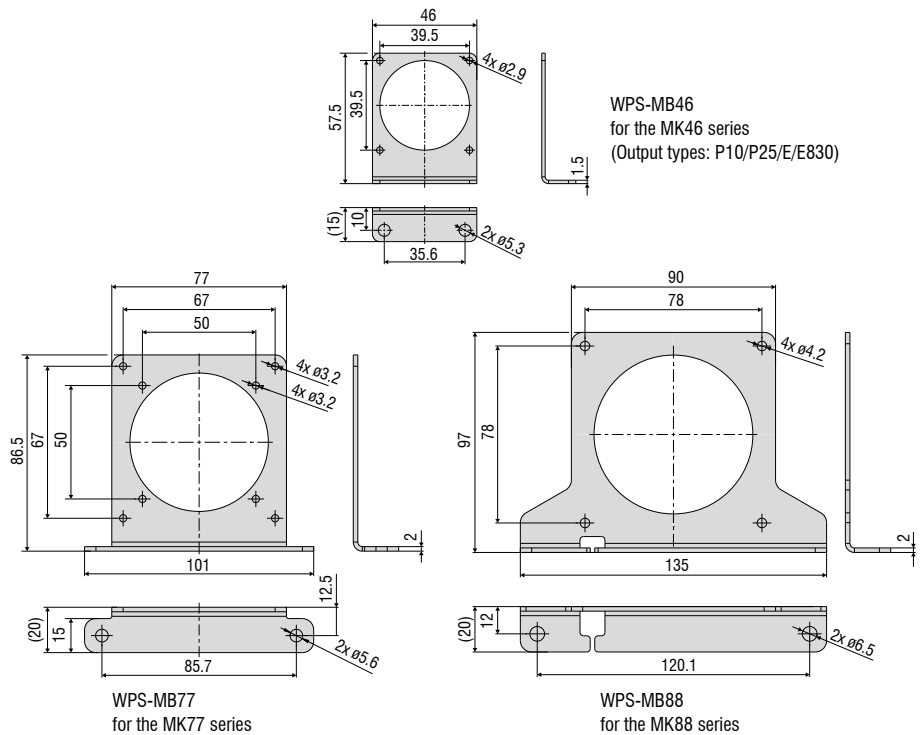


TR6-WDS(01)

Integrated wire deflection pulley for the P115 sensors with a wire diameter of 1 mm



Mounting bracket set

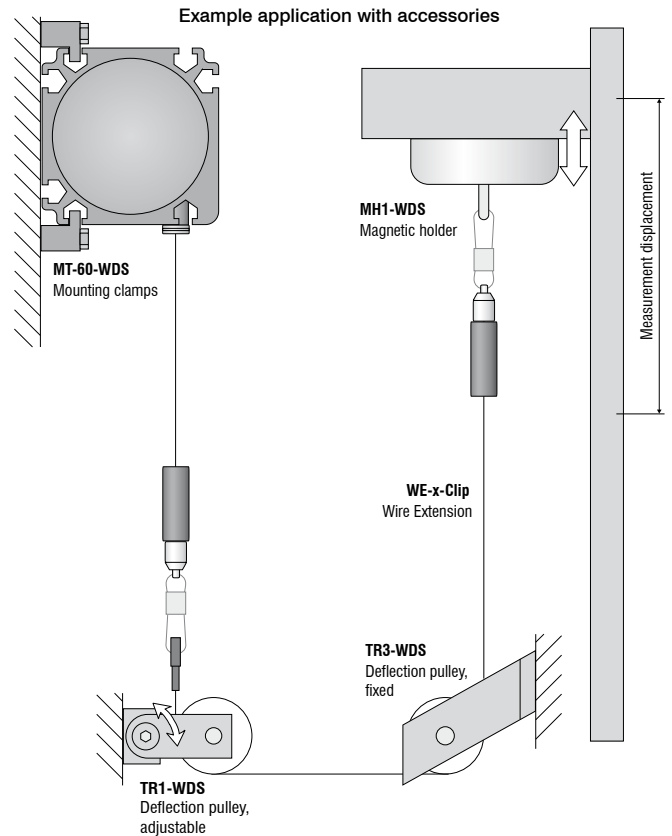


Accessories & Notes for installation

wireSENSOR

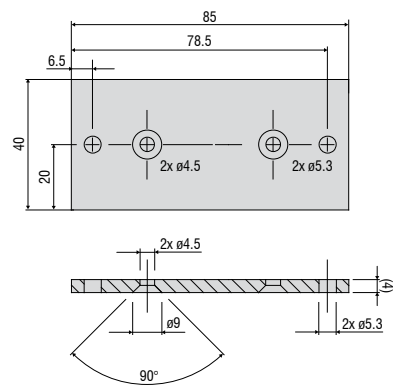
Accessories

WE-xxx-M4	Wire extension with M4 wire connection, x=wire length
WE-xxx-Clip	Wire extension with eyelet, x = wire length
WE-xxx-Clip-WSS	Wire extension with clip and uncoated wire d=0.45 mm
WE-xxx-Ring-PW	Wire extension with plastic ring and para-aramid wire, 1 mm
GK1-WDS	Fork head for M4
MH1-WDS	Magnetic holder for wire attachment
MH2-WDS	Magnetic holder for sensor mounting
MT-60-WDS	Mounting clamps for WDS-P60
FC8	Mating plug for WDS straight, 8-pin
FC8/90	Mating plug, 90° angled for WDS
PC3/8-WDS	Sensor cable, 3 m long, for WDS with 8-pin cable connector
WDS-MP60	Mounting plate for P60 models
WPS-MB46	Mounting bracket set for the MK46 series (output type: P10/P25/E/E830)
WPS-MB77	Mounting bracket set for the MK77 series
WPS-MB88	Mounting bracket set for the MK88 series
PC2/10-WDS-A	Cable for SSI encoder, 2 m long
PC10/10-WDS-A	Cable for SSI encoder, 10 m long
PC5/5-IWT	Sensor cable, 5 m long, M12x1 connector, 5-pin, A-coding



WDS-MP60

Mounting plate for P60 models

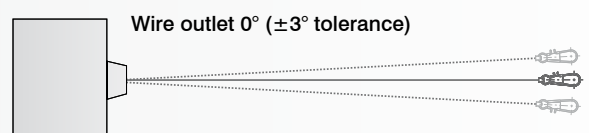


All dimensions in mm, not to scale

Installation instructions:

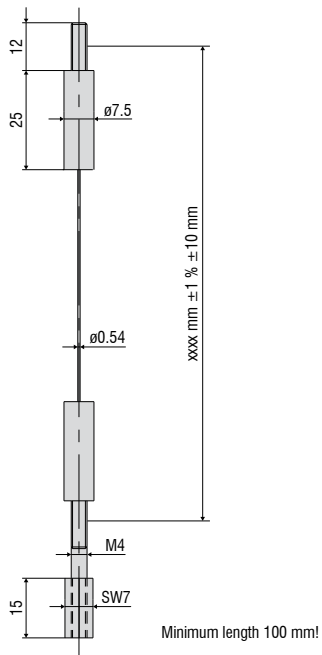
Wire attachment: during installation, do not allow at any time the measuring wire to freely return.

Angle of wire outlet: Make sure during installation that the wire outlet is straight (tolerance of $\pm 3^\circ$). Exceeding this tolerance leads to increased wear of the wire material and on the wire outlet.



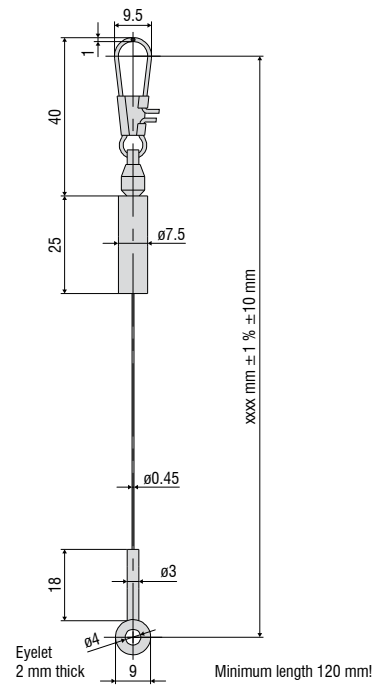
WE-xxxx-M4

Wire extension with M4 wire connection, x=wire length



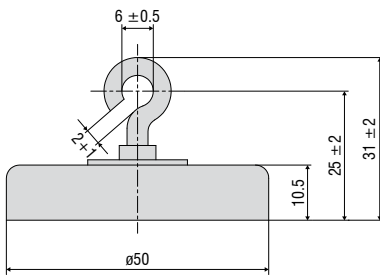
WE-xxxx-Clip

Wire extension with eyelet, x = wire length



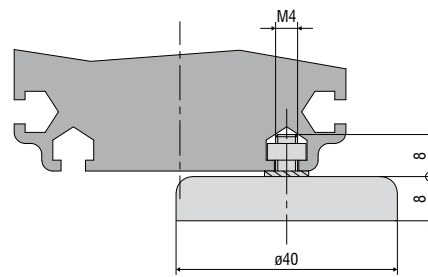
MH1-WDS

Magnetic holder for wire attachment



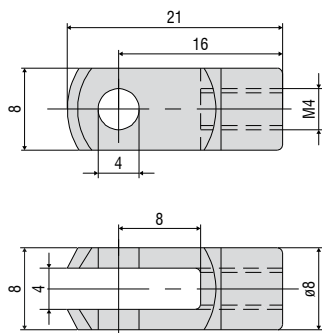
MH2-WDS

Magnetic holder for sensor mounting



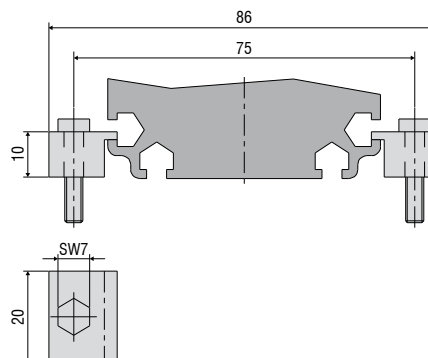
GK1-WDS

Fork head for M4



MT-60-WDS

Mounting clamps for WDS-P60



Output specifications

wireSENSOR

Analog

Output	Connector M16 -SA / -SR	Integrated cable -CA / -CR	Open contacts
Potentiometer output (P)			
Input voltage	max. 32 VDC with 1 kOhm / max. 1 W		
Resistance	1 kOhm $\pm 10\%$ (resistance divider)		
Temperature coefficient	$\pm 0.0025\%$ FSO/ $^{\circ}$ C		
	 <p>Sensor side</p> <p>1 = Input + 2 = Ground 3 = Signal</p>	<p>White = Input + Brown = Ground Green = Signal</p>	 <p>1 = Input + 2 = Signal 3 = Ground</p>
Voltage output (U)			
Supply voltage	14 ... 27 VDC (non-stabilized)		
Current consumption	max. 30 mA		
Output voltage	0 ... 10 VDC Option 0 ... 5 / ± 5 V		
Load resistance	>5 kOhm		
Output noise	0.5 mV _{eff}		
Temperature coefficient	$\pm 0.005\%$ FSO/ $^{\circ}$ C		
Electromagnetic compatibility (EMC)	EN 61000-6-4 EN 61000-6-2		
Adjustment range (if supported by the model)			
Zero	$\pm 20\%$ FSO	1 = Power supply 2 = Ground 3 = Signal 4 = Ground	White = Supply Brown = Ground Green = Signal Yellow = Ground
Sensitivity	$\pm 20\%$		
Current output (I)			
Supply voltage	14 ... 27 VDC (non-stabilized)		
Current consumption	max. 35 mA		
Output current	4 ... 20 mA		
Load	<600 Ohm		
Output noise	<1.6 μ A _{eff}		
Temperature coefficient	$\pm 0.01\%$ FSO/ $^{\circ}$ C		
Electromagnetic compatibility (EMC)	EN 61000-6-4 EN 61000-6-2		
Adjustment range (if supported by the model)			
Zero	< $\pm 18\%$ FSO	1 = Power supply 2 = Ground	White = Supply Brown = Ground
Sensitivity	$\pm 15\%$		

CANopen

(for the MK88 and K100 series)

CANopen features	
Profiles	Communication profile CiA 301. Device profile CiA 406 (absolute linear encoder)
SDO	1x SDO server
PDO	2x TxPDO
PDO modes	Event/time-triggered, synchronous (cyclic/acyclic)
Preset value	The "Preset" parameter can be used to set the current measured value to any value. The difference from the original value is stored in the object.
Direction	Via the operating parameter, the counting direction of the measured values can be reversed
Diagnosis	Heartbeat, Emergency Message
Default setting	AutoBaud(9), Node-ID 1

Setting the baud rate	
Baud rate adjustable via LSS or object 0x3001	
0	1000 kBaud
2	500 kBaud
3	250 kBaud
4	125 kBaud
6	50 kBaud
9	AutoBaud (default)

Description of the connections	
Pin	Assignment
1	n. c.
2	V+ (7...32VDC)
3	GND
4	CAN-High
5	CAN-Low



Setting the subscriber address (node ID)
Address adjustable via LSS or object 0x3000 (1....127, 1 = default)

Output specifications

wireSENSOR

CANopen

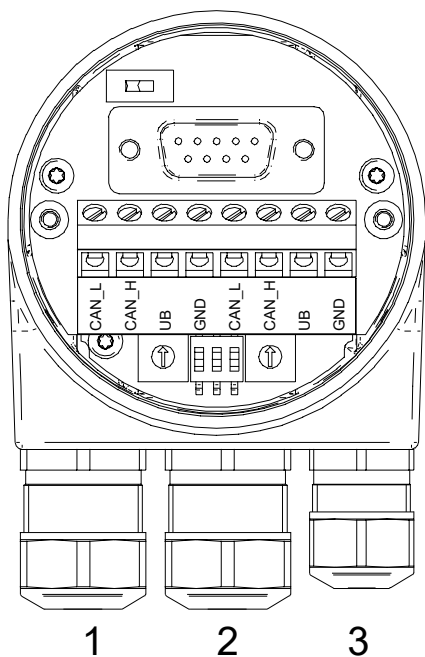
(for P60, P96, P115 and P200 series)



Setting the CANopen baud rate

Baud rate	DIP switch setting		
	1	2	3
10 kBit/s	OFF	OFF	OFF
20 kBit/s	OFF	OFF	ON
50 kBit/s	OFF	ON	OFF
125 kBit/s	OFF	ON	ON
250 kBit/s	ON	OFF	OFF (factory settings)
500 kBit/s	ON	OFF	ON
800 kBit/s	ON	ON	OFF
1 MBit/s	ON	ON	ON

If Node-ID 00 is set, the baud rate can be programmed via the CAN bus.



Description of the CANopen connections

GND	Ground connection for UB
UB	Operating voltage
CAN_H	CAN bus signal (dominant High)
CAN_L	CAN bus signal (dominant Low)

Max. core cross-section

Single-wire (rigid)	1.5 mm ²
Fine-wired (flexible)	1.0 mm ²
Fine-wired (flexible)	With ferrule 0.75 mm ²

Cable diameter

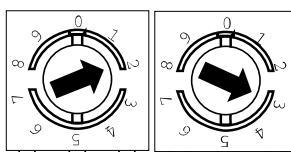
Cable gland 1,2	ø8...10 mm (-40...+85 °C) ø5...9 mm (-25...+85 °C)
Cable gland 3	ø4.5...6 mm (-40...+85 °C) ø3...6 mm (-25...+85 °C)

Tightening torque

Terminal block/screw terminal max. 0.4 Nm
(recommended tightening torque 0.3 Nm)

Settings of the CANopen participant address

Address can be set with rotary switch. Example: Participant address 23

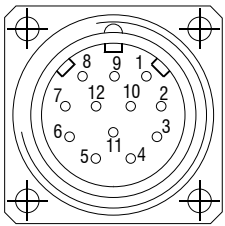


SSI (Gray Code)

Pin assignment

Flange socket M23, 12-pin, pin contacts, CW
(assignment according to option 3252)

PIN	Assignment
1	+Vs
2	0 V
3	Clock+
4	Data+
5	SET
6	Data-
7	Clock-
8	-
9	DIR
10	-
11	-
12	-



Connections

SET	<p>Zero setting input For setting a zero point at any point. The zeroing process is triggered by a High pulse and must take place after the rotating direction selection (DIR). Pulse duration > 100 ms. For maximum interference immunity, connect to 0 V after zeroing.</p>
DIR	<p>Counting direction input When not connected, this input is on High. DIR High means increasing output data with a clockwise rotating shaft when looking at the flange. DIR Low means increasing values with a counterclockwise rotating shaft when looking at the flange. For maximum interference immunity, connect to +Vs or 0 V depending on the direction of rotation.</p>

Switching level

SSI switch

SSI clock	RS422 with terminating resistance 120 Ω
SSI data	RS422

Control inputs of input circuit

Input level High	>0.7 UB
Input level Low	<0.3 UB
Input resistance	10 kΩ

Output specifications

wireSENSOR


PROFIBUS

Profibus DP features	
Bus protocol	Profibus-DPV0
Device profile	Device class 1 and 2
Cyclical data exchange	Communication in accordance with DPV0
Input data	Position value Additional configurable speed signal
Output data	Preset value
Preset value	This parameter can be used to set the rotary encoder to a desired position value that corresponds to a defined axis position of the system. The storage is non-volatile.
Rotary direction	This parameter can be used to parameterize the direction of rotation in which the position value should rise or fall.
Scaling	Parameterization of the steps per rotation and the total resolution.
Gear factor	Adjustable via counter / denominator
Diagnosis	Position and parameter errors Monitoring multi-turn scanning Readable hour meter

Pin assignment	
+Vs	Operating voltage 8...30 VDC
0 V	Ground connection related to +Vs
A	Negative data line
B	Positive data line

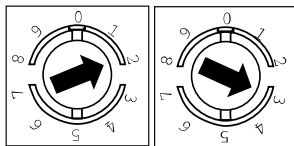
Terminals with the same designation are internally connected and functionally identical. These internal terminal connections Vs-Vs / 0V-0V may be loaded with max. 1 A each.

Terminator

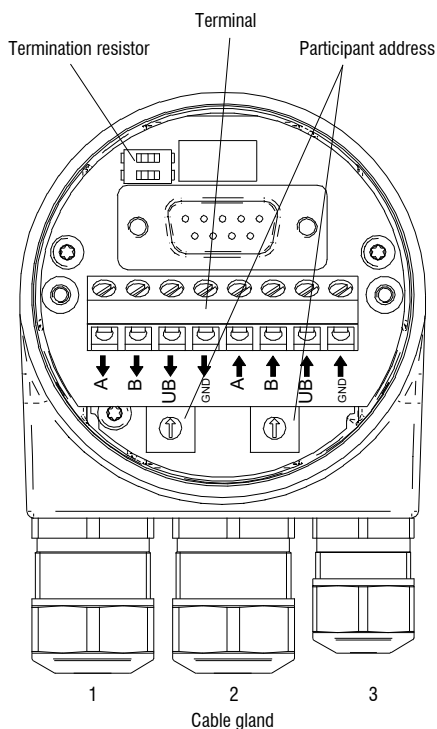


Both ON = last participant
Both OFF = participant X
Default setting OFF

Participant address



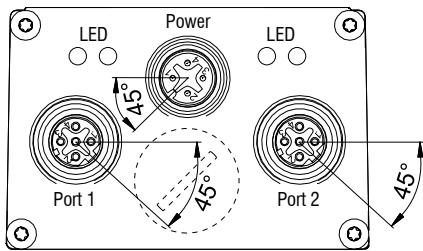
Adjustable via rotary switch
Example: Participant address 23
Default setting: 00



Cable: 1, 2 = ø8 - 10 mm (-40 - 85 °C) / ø5 - 9 mm (-25 - 85 °C)
Cable: 3 = ø4.5 - 6 mm (-40 - 85 °C) / ø3 - 6 mm (-25 - 85 °C)

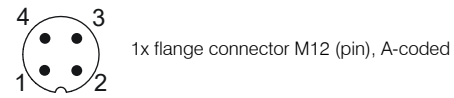
PROFINET

PROFINET features	
Bus protocol	PROFINET IO
Device profile	Encoder Profile PNO 3.162 V4.1 and V3.1 PROFIdrive Profil PNO 3.172 V4.1
Real-time classes	Realtime (RT) Class 1, IRT Class 3
Transmission frequency	RT: 1 ms, 2 ms, 4 ms IRT: 250 μ s, 500 μ s, 1 ms, 2 ms, 4 ms
Update time	Min. 500 μ s
Product features	- 100 Mbaud Fast Ethernet - Device replacement without removable media - Media redundancy protocol MRP - Gear factor / round axis
Process data	- Position value 32-Bit input data with/without rotational speed 16 or 32 Bit - Telegram 81-83 of the PROFIdrive profile
LED status display	Link/Activity, Status, Error



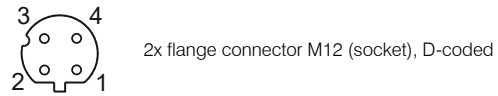
Pin Assignment

Operating voltage		
Pin	Connection	Description
1	UB	Operating voltage
2	n.c.	Do not connect
3	GND	Ground connection
4	n.c.	Do not connect



PROFINET (data line)

Pin	Connection	Description
1	TxD+	Transmitted data+
2	RxD+	Received data+
3	TxD-	Transmitted data-
4	RxD-	Received data-



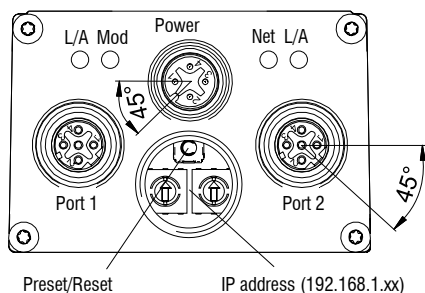
Output specifications

wireSENSOR

EtherNet/IP

EtherNet/IP characteristics

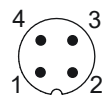
Bus protocol	EtherNet/IP
Device profile	CIP Nov 2016, 22 _{hex} Encoder
Cycle time	1 ms
Product features	<ul style="list-style-type: none"> - Gear factor (round axis) and continuous operation - Plausibility test of adjustable parameters - Comprehensive diagnosis function - Address Conflict Detection - Device Level Ring - Several simultaneous IO connections
LED status display	2x Link/Activity, module status, network status



Pin Assignment

Operating voltage

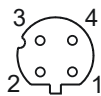
Pin	Connection	Description
1	UB	Operating voltage
2	d.c.	Do not connect
3	GND	Ground connection
4	d.c.	Do not connect



1x flange connector M12 (pin), A-coded

EtherNet/IP (data line)

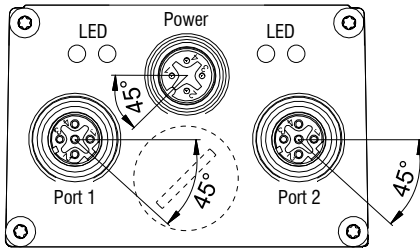
Pin	Connection	Description
1	TxD+	Transmitted data+
2	RxD+	Received data+
3	TxD-	Transmitted data-
4	RxD-	Received data-



2x flange connector M12 (socket), D-coded

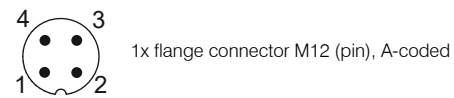
EtherCAT

EtherCAT characteristics	
Bus protocol	EtherCAT
Device profile	Encoder profile CANopen® CiA 406 Vers. 4.0.2 dated August 18, 2016
Operating modes	Free Run, synchronous with SM3 Event, DC Mode (Distributed Clocks)
Cycle time	Min. 62.5 μ s
Product features	<ul style="list-style-type: none"> - Gear factor (round axis) and continuous operation - Time stamp (time of position data acquisition) - Plausibility check of adjustable parameters - Comprehensive diagnosis function - Preset gauge for position - File Access over EtherCAT (FoE)
Process data	<ul style="list-style-type: none"> - Position value 32-Bit input data with/without rotational speed 32 Bit - Comprehensive process data mapping
LED status display	2x Link/Activity, RUN, ERR



Pin Assignment

Operating voltage		
Pin	Connection	Description
1	UB	Operating voltage
2	n.c.	Do not connect
3	GND	Ground connection
4	n.c.	Do not connect



EtherCAT (data line)

Pin	Connection	Description
1	TxD+	Transmitted data+
2	RxD+	Received data+
3	TxD-	Transmitted data-
4	RxD-	Received data-

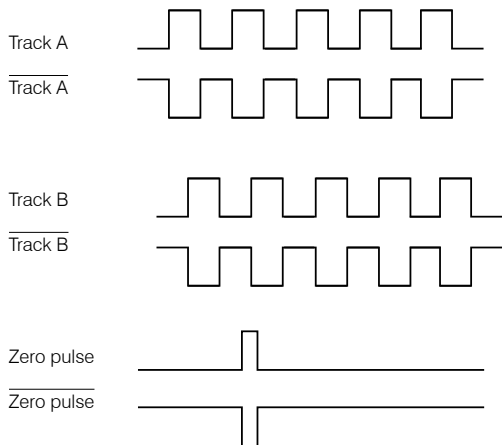


Output specifications

wireSENSOR

Incremental encoder

Output signals



TTL Output	Line driver (5 VDC)
High level	$\geq 2.5 \text{ V}$
Low level	$\leq 0.5 \text{ V}$
High load	$\leq 20 \text{ mA}$
Tracks	A, \bar{A} , B, \bar{B} , 0

Output TTL01/ TTL02	NPN (5 VDC $\pm 5 \%$)
High level	$> 4.5 \text{ V}$
Low level	$< 1.0 \text{ V}$
High load	$\leq 3 \text{ mA}$
Tracks (TTL01)	A, B, 0
Tracks (TTL02)	A, \bar{A} , B, \bar{B} , 0

Output HTL	Push-pull (10 ... 30 VDC)
High level	$\geq V+ -3 \text{ V}$
Low level	$\leq 1.5 \text{ V}$
High load	$\leq 40 \text{ mA}$
Tracks	A, \bar{A} , B, \bar{B} , 0

Output E	Push-pull (5 VDC)
High level	$\geq V+ -2.5 \text{ V}$
Low level	$\leq 0.5 \text{ V}$
High load	$\leq 50 \text{ mA}$
Tracks	A, B, 0

Output E830	Push-pull (8 ... 30 VDC)
High level	$\geq V+ -3 \text{ V}$
Low level	$\leq 2.5 \text{ V}$
High load	$\leq 50 \text{ mA}$
Tracks	A, B, 0

Pin assignment TTL, HTL		
Connector	Cable color	Assignment
Pin 1	pink	B-
Pin 2	-	-
Pin 3	blue	R+
Pin 4	red	R-
Pin 5	green	A+
Pin 6	yellow	A-
Pin 7	-	-
Pin 8	gray	B+
Pin 9	-	-
Pin 10	white	GND
Pin 11	-	-
Pin 12	brown	UB

Pin assignment E, E830	
Cable color	Assignment
white	0 V
brown	V+
green	A
-	\bar{A}
yellow	B
-	\bar{B}
gray	0

Pin assignment TTL01	
Cable color	Assignment
brown	0 V
gray	V+
white	A
green	B
yellow	0

Pin assignment TTL02	
Cable color	Assignment
red	V+
black	0 V
brown	A
black	\bar{A}
orange	B
black	\bar{B}
yellow	0
black	n. c.

Sensors and Systems from Micro-Epsilon



Sensors and systems for displacement, distance and position



Sensors and measurement devices for non-contact temperature measurement



Measuring and inspection systems for metal strips, plastics and rubber



Optical micrometers and fiber optics, measuring and test amplifiers



Color recognition sensors, LED analyzers and inline color spectrometers



3D measurement technology for dimensional testing and surface inspection